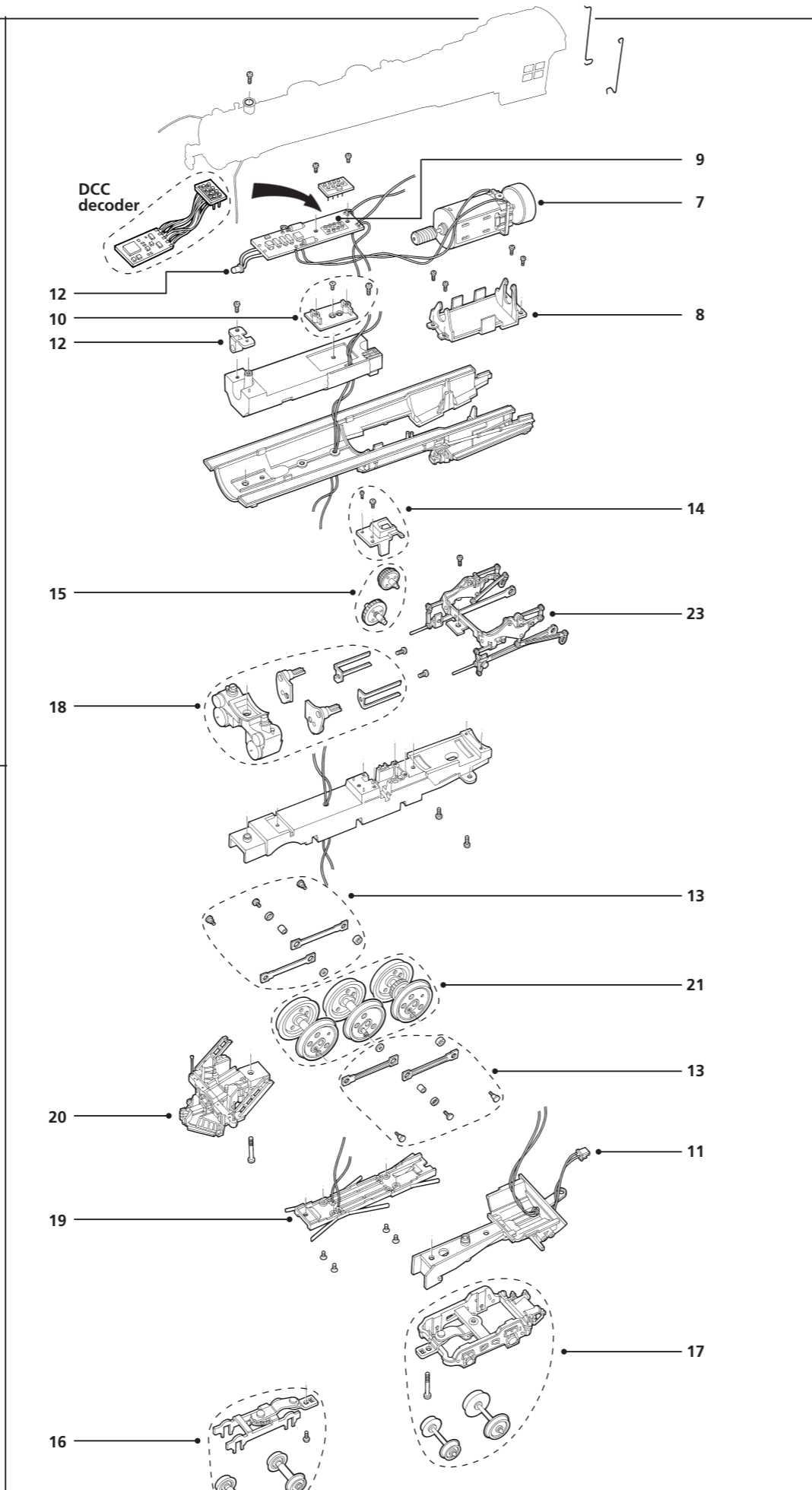
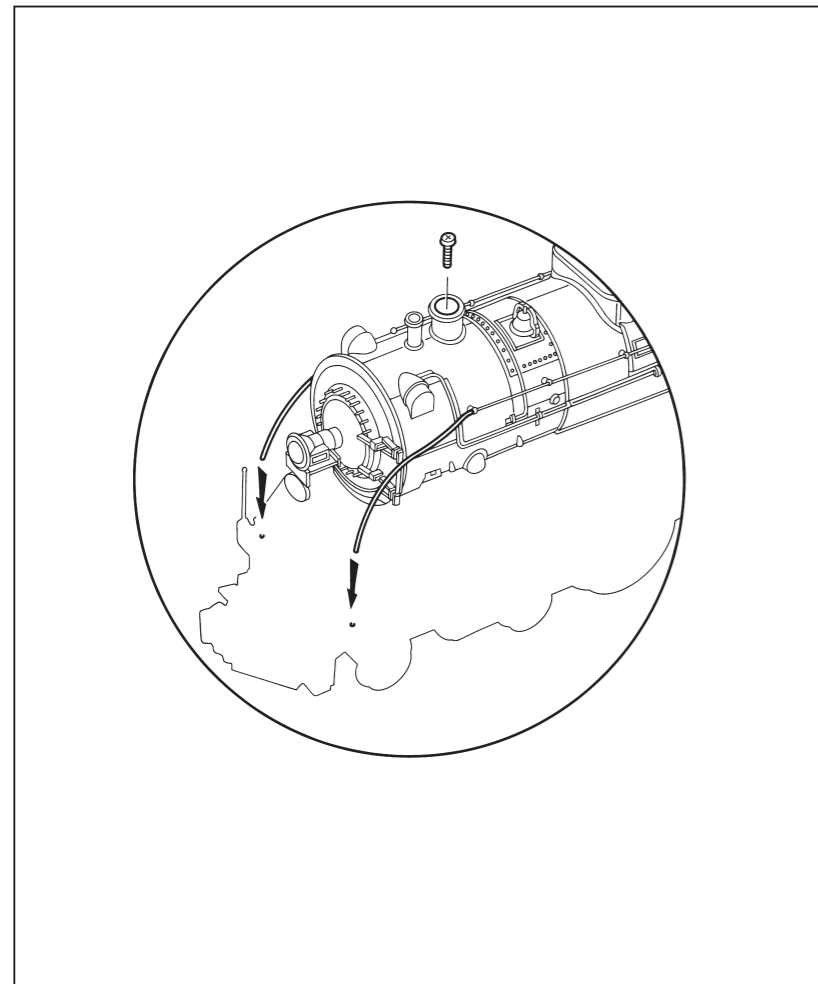


| Item No<br>Art.-Nr.<br>Référence<br>N. di parte | Description<br>Bezeichnung<br>Description<br>Descrizione   | Pack<br>Pckg<br>Pack<br>Confezione | HR2007 |
|---|--|------------------------------------|--------|
| 1   | Tender Bogie Complete<br>Tender-Drehgestell komplett<br>Bogie tender complet<br>Carrello tender completo | 1                                  | HS1472 |
| 2   | Bogie (no Wheels)<br>Drehgestell (ohne Räder)<br>Bogie (sans roues)<br>Carrello (senza ruote)            | 2                                  | HS1473 |
| 3   | Pick Ups<br>Kontaktblech<br>Capteurs<br>Pick Up  | set                                | HS1498 |
| 4   | Wheel Set<br>Radsatz<br>Jeu de roues<br>Set ruote  | set                                | HS1474 |
| 5   | Connector to Loco<br>Lok-Anschlusszapfen<br>Connecteur à la loco<br>Connettore a loco                    | set                                | HS1476 |
| 6   | Tender Connector<br>Tender-Anschlusselement<br>Connecteur tender<br>Connettore tender                    | set                                | HS1477 |
| 7   | Motor + Flywheel<br>Motor + Schwungscheibe<br>Moteur + Volant<br>Motore + Volano                         | 1                                  | HS1479 |
| 8   | Motor Support<br>Motorhalterung<br>Soutien moteur<br>Supporto motore                                     | 1                                  | HS1480 |



## STEAM LOCOMOTIVE HUDSON

### LIST OF SPARES/ERSATZTEILLISTE/LISTE DE PIÈCES DE RECHANGE/LISTA RICAMBI



| Item No<br>Art.-Nr.<br>Référence<br>N. di parte                            | Description<br>Bezeichnung<br>Description<br>Descrizione   | Pack<br>Pckg<br>Pack<br>Confezione | HR2007 |
|--|--|------------------------------------|--------|
| 9  | Main PCB Board<br>Hauptleiterplatte<br>Carte principale de circuit imprimé<br>Scheda principale a circuiti stampati  | 1                                  | HS1481 |
| 10   | Main PCB Board Support<br>Hauptleiterplatte-Halterung<br>Support de la carte principale de circuit imprimé<br>Supporto scheda principale a circuiti stampati | 1                                  | HS1482 |
| 11   | Loco to Tender Connector<br>Lok-Tender-Steckverbinder<br>Connecteur loco-tender<br>Connettore da loco a tender   | 1                                  | HS1483 |
| 12   | Front Light Pack<br>Frontleuchten-Satz<br>Jeu de feux avant<br>Confezione luci anteriori   | 1                                  | HS1484 |
| 13   | Coupling Pack<br>Kupplungssatz<br>Pack de couplage<br>Confezione attacco   | 10                                 | HS1485 |
| 14   | Gear Box Cover Pack<br>Getriebe-Abdeckung-Satz<br>Pack couvercle du boîtier d'engrenages<br>Confezione carter trasmissione                                   | 10                                 | HS1486 |
| 15   | Gear Set<br>Zahnrad-Satz<br>Ensemble d'engrenages<br>Set ingranaggi  | set                                | HS1487 |
| 16   | Bogie Front Loco (with wheels)<br>Drehgestell vorn (Lok, mit Rädern)<br>Bogie loco avant (avec roues)<br>Carrello anteriore loco (con ruote)                 | 1                                  | HS1488 |
| 17   | Bogie Rear Loco (with wheels)<br>Drehgestell hinten (Lok, mit Rädern)<br>Bogie loco arrière (avec roues)<br>Carrello posteriore loco (con ruote)             | 1                                  | HS1489 |
| 18   | Cylinder Block<br>Zylinderblock<br>Bloc vérin<br>Blocco cilindri   | 1                                  | HS1490 |
| 19   | Chassis Bottom with Screws<br>Chassis-Bodenplatte mit Schrauben<br>Partie basse du châssis avec vis<br>Parte inferiore telaio con viti                       | 1                                  | HS1491 |
| 20   | Loco Front Parts Assembly<br>Lok-Vorderteile-Satz<br>Ensemble de pièces avant loco<br>Complessivo parti anteriori loco                                       | 1                                  | HS1492 |
| 21   | Wheel Set<br>Radsatz<br>Jeu de roues<br>Set ruote  | set                                | HS1493 |
| not illustrated<br>(nicht abgebildet)<br>(non illustré)<br>(non in figura) | Coupling Pack<br>Kupplungssatz<br>Pack de couplage<br>Confezione attacco   | 10                                 | HS1494 |
| 23   | Valve Gear Set<br>Steuerungs-Satz<br>Jeu d'engrenages des soupapes<br>Set distribuzione  | 1                                  | HS1495 |
| not illustrated<br>(nicht abgebildet)<br>(non illustré)<br>(non in figura) | Assembly Pack<br>Baugruppen-Satz<br>Pack de montage<br>Confezione complessivo  | 1                                  | HS1496 |
| not illustrated<br>(nicht abgebildet)<br>(non illustré)<br>(non in figura) | Screws Pack<br>Schrauben-Satz<br>Pack de vis<br>Confezione viti  | pack                               | HS1497 |